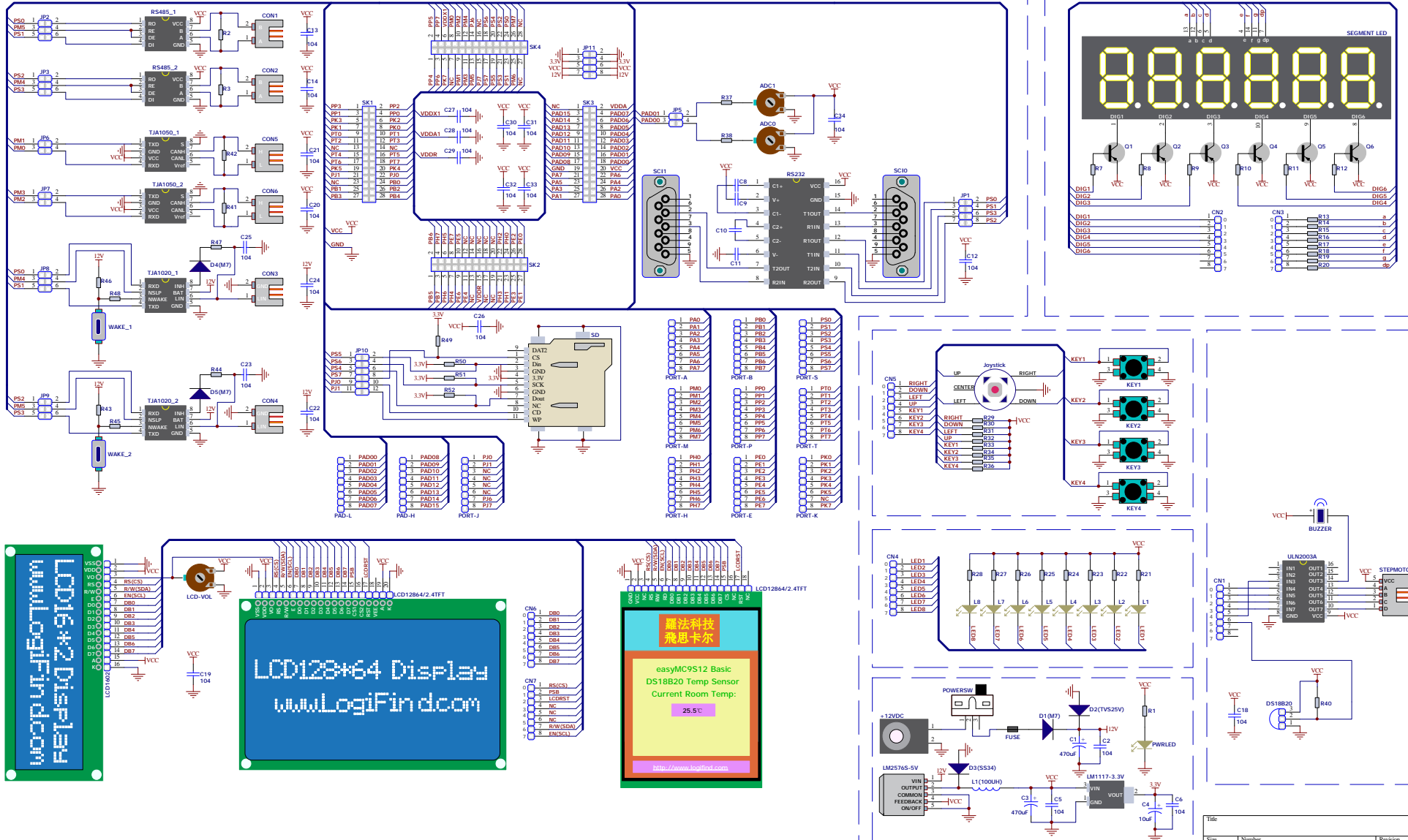


openMC9S12 Pro development board Schematic

Hardware Revision v1

If you are experiencing some problems with any of our products or just need additional information, please contact our technical support: wsl0297662156@163.com
If you want to learn more about our product, please visit our website:

www.LogiFind.com



Title		
Site	Number	Revision
A2		
Date:	24-Jan-2013	Sheet of
File:	E:\LogiFind_Design\MC9S12\ER.Dxb	Drawn By: