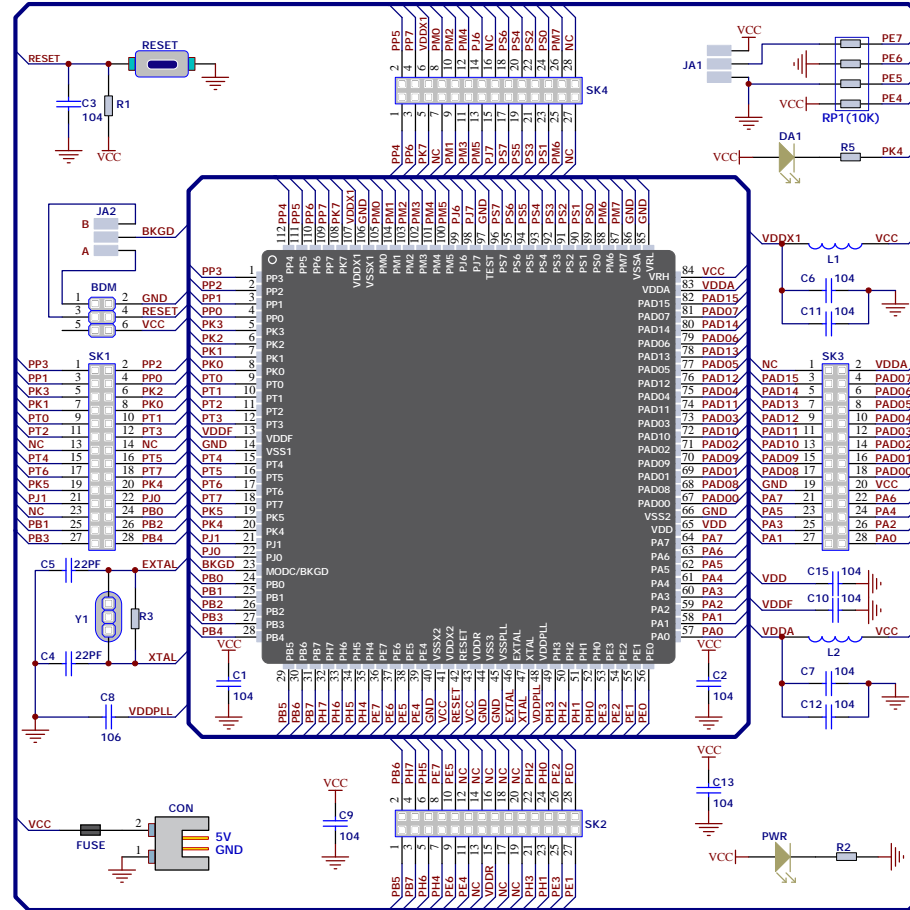


# MC9S12X-112-A core Schematic

Hardware Revision v1

If you are experiencing some problems with any of our products or just need additional information, please contact our technical support: [wxl07297662156@163.com](mailto:wxl07297662156@163.com)  
 If you want to learn more about our product, please visit our website:

[www.LogiFind.com](http://www.LogiFind.com)



Title		
Size	Number	Revision
A3		
Date:	24-Jun-2023	Sheet of
File:	E:\LogiFind_Design\2022\0108.Ddb	Drawn By: