

Product Datasheet V1.0

SU108 Series Bridge Board **SU108**



1. Description

SU108 is bridge board series which can change different voltage level of the interface into standard USB level, work with series of data transmission modules, it is easy to connect to PC to configure and communicate.

SU108-TTL is transfer 3.3V TTL level into USB level; SU108-232 is transfer RS232 level into USB level; SU108-485 is transfer RS485 level into USB level.

2. Interface

➤ SU108-485 :

Model A USB male port



VCC — +5.0, power to module directly (except for high power equipment)
GND — Connected to ground
TXD — RS485 port, connect to RS485 serial port A+pin
RXD — RS485 port, connect to RS485 serial port B+pin
SET— Configuration mode enable
CS — Module sleeping Enable

Shorted caps

ON—SET to ground

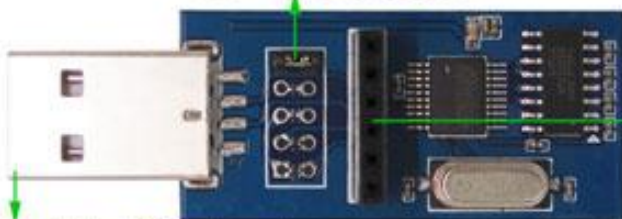
OFF—SET leave open

➤ SU108-232

Shorted caps

ON—SET to ground

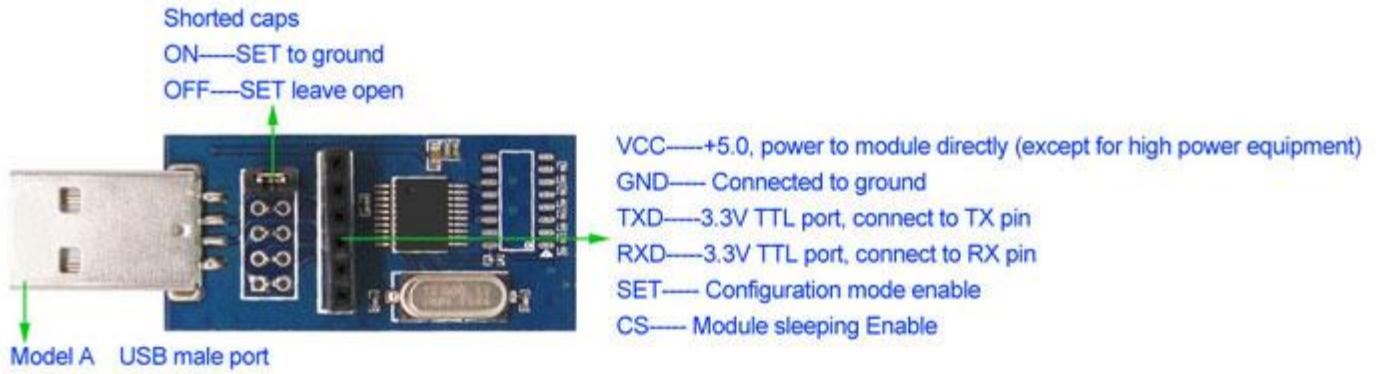
OFF—SET leave open



VCC — +5.0, power to module directly (except for high power equipment)
GND — Connected to ground
TXD — RS232 port, connect to TX pin
RXD — RS232 port, connect to RX pin
SET — Configuration mode enable
CS — Module sleeping Enable

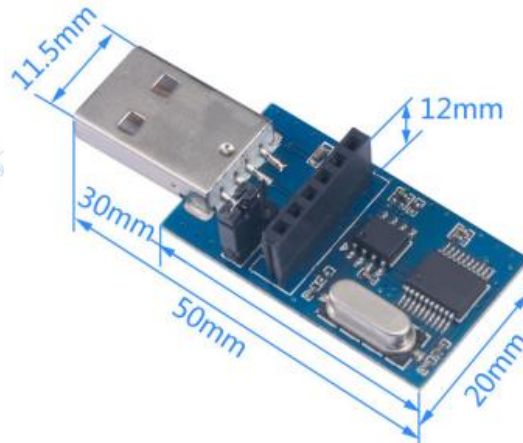
Model A USB male port

➤ SU108-TTL:

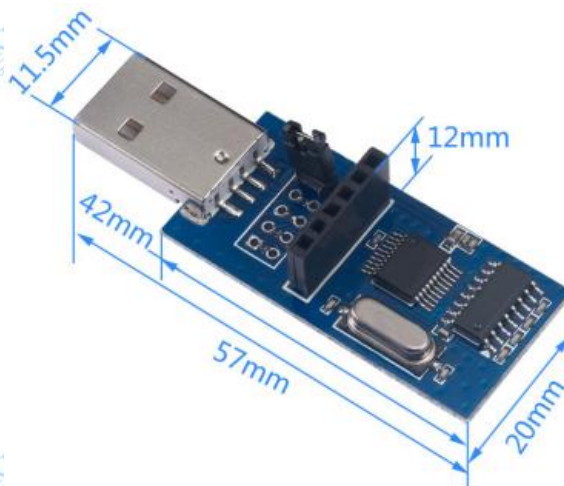


3. Dimension

❖ SU108-485 :



❖ SU108-232 :



❖ SU108-TTL :

