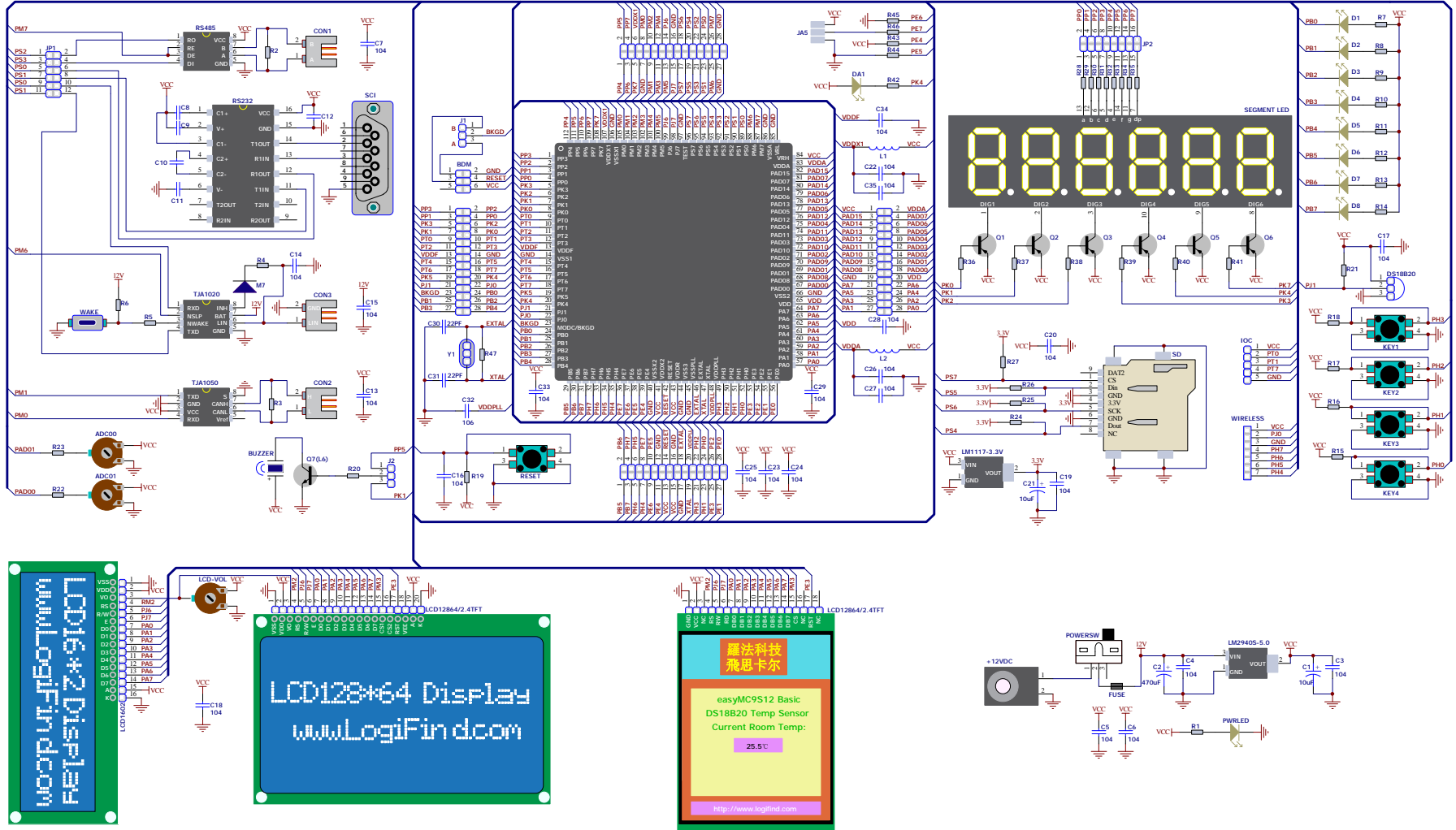


easyMC9S12 Basic development board Schematic

Hardware Revision v1

If you are experiencing some problems with any of our products or just need additional information, please contact our technical support: wsl07297662156@163.com
 If you want to learn more about our product, please visit our website:

www.LogiFind.com



| Title | | |
|-------|-------------------------|-----------|
| Site | Number | Revision |
| A2 | | |
| Date: | 28 Aug 2020 | Sheet of |
| File: | E:\J\proj\ml Design Dxb | Drawn By: |